



Scan to explore
XDE40 online

Maxiled XDE40

43W Recessed Downlight

Product Code	Colour Temperature	Colour Technology	Beam Angle	Trim Colour	Driver
XDE40	2.7 (2700K)	(CRI 90+ Standard)	NB (Narrow)	W (White)	DALI (DALI)
	3 (3000K)		WB (Wide)	B (Black)	ND (Non-dimmable)
	3.5 (3500K)				
	4 (4000K)				

Order Code **XDE404-WB-W-ND**

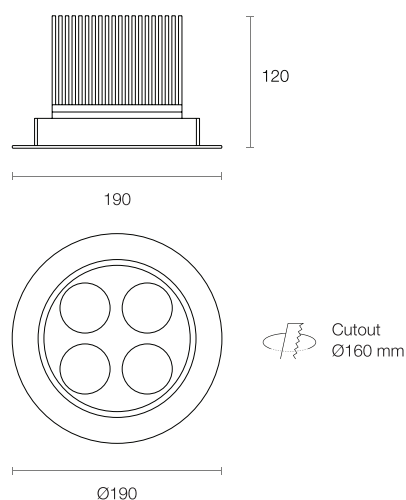


To configure this downlight, please visit
trendlighting.com.au/product/maxiled-XDE40

Physical Characteristics

Trim Colour	White Black
Tilt Angle	20°
Dimensions	Ø190 x 120 (H) mm
Spring Height	30 mm
Cutout	Circular 160 mm
Weight	1300 g

Dimensions (mm)



Product Features

- Recessed high-powered LED downlight consisting of 4 high output COB LEDs
- Anodised pressure cast heatsink provides effective thermal management ensuring high output and long lifespan
- CRI 90+ available in 2700K, 3000K, 3500K and 4000K CCT options
- Supplied with a remote driver

Product Attributes



Technical Characteristics

Based on XDE404-WB-W-ND

LED Power	43.2W
LED Type	COB
Lumen Output	5471 lm
Luminous Flux	3738 lm
Efficacy	80.04 lm/W
Colour Temperature	2700K 3000K 3500K 4000K
Colour Technology	CRI 90+
Colour Deviation	SDCM ≤ 2
Lifetime	50,000 hours (L70)
Beam Angle	Narrow Wide
System Power	46.7W Typical
Driver Model	Trend 150030-300 (Non-dim)
Input	180-265V AC 50/60 Hz
Output	130-145V DC 300mA
Power Factor	>0.90
Protection	OVP, OTP, OCP, SCP, OPP
Dimming	DALI Non-dimmable

General Characteristics

Category	Downlights
Family	Maxiled
Surface	Ceiling
Mounting	Recessed
Insulation Contact	Non-IC
Ingress Protection	IP20



Scan to explore
XDE40 online

Maxiled XDE40

43W Recessed Downlight

Product Code	Colour Temperature	Colour Technology	Beam Angle	Trim Colour	Driver
XDE40	2.7 (2700K)	(CRI 90+ Standard)	NB (Narrow)	W (White)	DALI (DALI)
	3 (3000K)		WB (Wide)	B (Black)	ND (Non-dimmable)
	3.5 (3500K)				
	4 (4000K)				

Order Code **XDE404-WB-W-ND**

To configure this downlight, please visit
trendlighting.com.au/product/maxiled-XDE40

Trim Colour



W
White Trim



B
Black Trim