



Scan to explore
XDL35 online

Maxiled XDL35

35W Adjustable Recessed Downlight

Product Code	Colour Temperature	Colour Technology	Beam Angle	Trim Colour	Insert Colour	Driver
XDL35	2.7 (2700K)	(CRI 90+ Standard)	MB (Medium)	W (White)	WI (White)	LT (Leading & Trailing Edge)
	3 (3000K)	V (CRI 93+ VIVID)	WB (Wide)	B (Black)	BI (Black)	DALI (DALI)
	3.5 (3500K)	R (CRI 97+ Standard)			SI (Silver)	ND (Non-dimmable)
	4 (4000K)				GI (Gold)	

Order Code **XDL354-WB-W-ND**



To configure this downlight, please visit
trendlighting.com.au/product/maxiled-XDL35

Product Features

- Recessed adjustable LED downlight available in a wide choice of trim colours and configurable inserts
- Equipped with large pressure cast aluminium heatsink for effective thermal management and sealed face with silicone gasket for increased ingress protection
- Alternate power options and sizes available ([XDL40](#) and [XDL55](#))
- CRI 90+ available in 2700K, 3000K, 3500K and 4000K CCT options; CRI 97+ and CRI 93+ VIVID available in 2700K, 3000K and 4000K CCT options
- Supplied with a remote driver

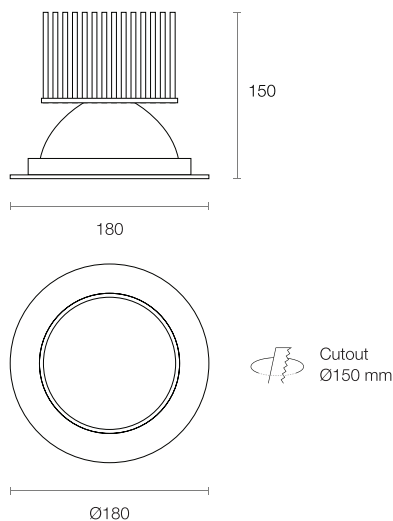
Product Attributes



Physical Characteristics

Trim Colour	White Black
Insert Colour	White Black Silver Gold
Tilt Angle	35°
Dimensions	Ø180 x 150 (H) mm
Spring Height	35 mm
Cutout	Circular 150 mm
Weight	910 g

Dimensions (mm)



Technical Characteristics

Based on XDL354-WB-W-ND

LED Power	35W
LED Type	COB
Lumen Output	4746 lm
Luminous Flux	3333 lm
Efficacy	88.88 lm/W
Colour Temperature	2700K 3000K 3500K 4000K
Colour Technology	CRI 90+ CRI 93+ VIVID CRI 97+
Colour Deviation	SDCM ≤ 2
Lifetime	50,000 hours (L80)
Beam Angle	Medium Wide

System Power	37.5W Typical
Driver Model	Trend 150026-1000 (Non-dim)
Input	220-240V AC 50/60 Hz
Output	30-40V DC 1000mA
Power Factor	>0.93
Protection	OVP, OTP, OCP, SCP, OPP
Dimming	Leading & Trailing Edge DALI Non-dimmable

General Characteristics

Category	Downlights
Family	Maxiled
Surface	Ceiling
Mounting	Recessed
Insulation Contact	Non-IC
Ingress Protection	IP20



Scan to explore
XDL35 online

Maxiled XDL35

35W Adjustable Recessed Downlight

Product Code	Colour Temperature	Colour Technology	Beam Angle	Trim Colour	Insert Colour	Driver
XDL35	2.7 (2700K)	(CRI 90+ Standard)	MB (Medium)	W (White)	WI (White)	LT (Leading & Trailing Edge)
	3 (3000K)	V (CRI 93+ VIVID)	WB (Wide)	B (Black)	BI (Black)	DALI (DALI)
	3.5 (3500K)	R (CRI 97+ Standard)			SI (Silver)	ND (Non-dimmable)
	4 (4000K)				GI (Gold)	

Order Code **XDL354-WB-W-ND**

To configure this downlight, please visit
trendlighting.com.au/product/maxiled-XDL35

Trim Colour



W
White Trim



B
Black Trim

Insert Colour



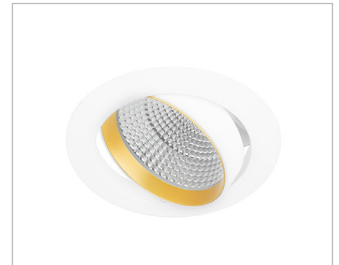
WI
White Insert



BI
Black Insert



SI
Silver Insert



GI
Gold Insert