



Scan to explore  
XLCL35 online

# Maxiled XLCL35

35W Recessed Downlight

Product Code	Colour Temperature	Colour Technology	Beam Angle	Trim Colour	Driver
XLCL35	3 (3000K)	(CRI 90+ Standard)	MB (Medium)	W (White)	LT (Leading & Trailing Edge)
	4 (4000K)				DALI (DALI)

Order Code **XLCL354-MB-W-LT**



## Product Features

- Recessed LED downlight with dual reflector design for visual comfort
- Manufactured with an aluminum body and finish
- A variety of sizes, power and trim options available (XLC10, XLC25, XLCL25 and XLCL35)
- CRI 90+ available in 3000K and 4000K CCT options
- Supplied with a remote driver

## Product Attributes

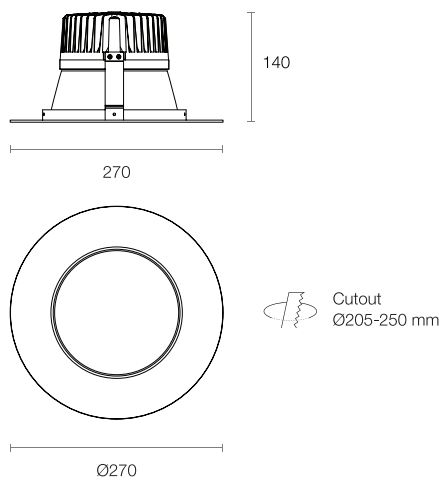


To configure this downlight, please visit  
[trendlighting.com.au/product/maxiled-XLCL35](http://trendlighting.com.au/product/maxiled-XLCL35)

## Physical Characteristics

Trim Colour	White
Dimensions	Ø270 x 140 (H) mm
Spring Height	25 mm
Cutout	Circular 205-250 mm
Weight	1095 g

## Dimensions (mm)



## Technical Characteristics

Based on XLCL354-MB-W-LT

LED Power	35W
LED Type	COB
Lumen Output	4746 lm
Luminous Flux	3535 lm
Efficacy	94.27 lm/W
Colour Temperature	3000K   4000K
Colour Technology	CRI 90+
Colour Deviation	SDCM ≤ 3
Lifetime	50,000 hours (L80)
Beam Angle	Medium
System Power	37.5W Typical
Driver Model	Trend 150027-1000 (L&T)
Input	220-240V AC 50/60 Hz
Output	30-42V DC 1000mA
Power Factor	>0.93
Protection	OVP, OTP, OCP, SCP, OPP
Dimming	Leading & Trailing Edge   DALI

## General Characteristics

Category	Downlights
Family	Maxiled
Surface	Ceiling
Mounting	Recessed
Insulation Contact	Non-IC
Ingress Protection	IP20