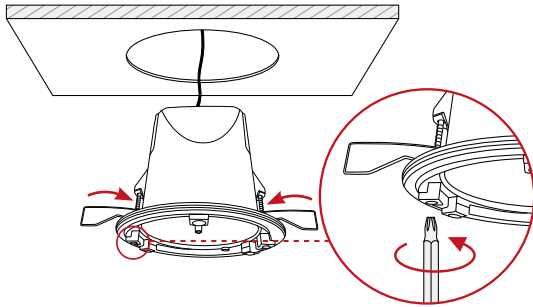
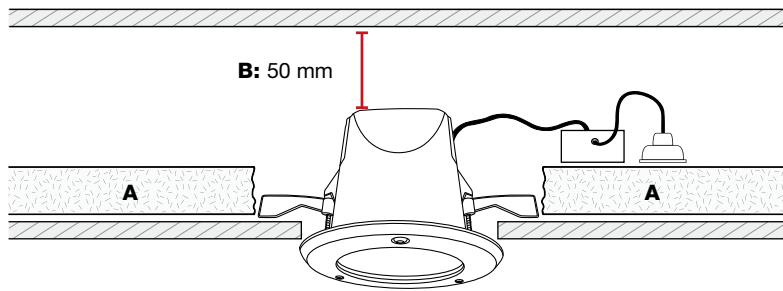


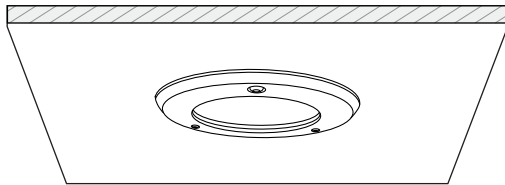
- 5** Push the clips inward to ensure the luminaire can be installed into the mounting hole. Tighten the 2 screws to lower the fold-out tabs securing the luminaire into the ceiling. Replace the cover of the luminaire.



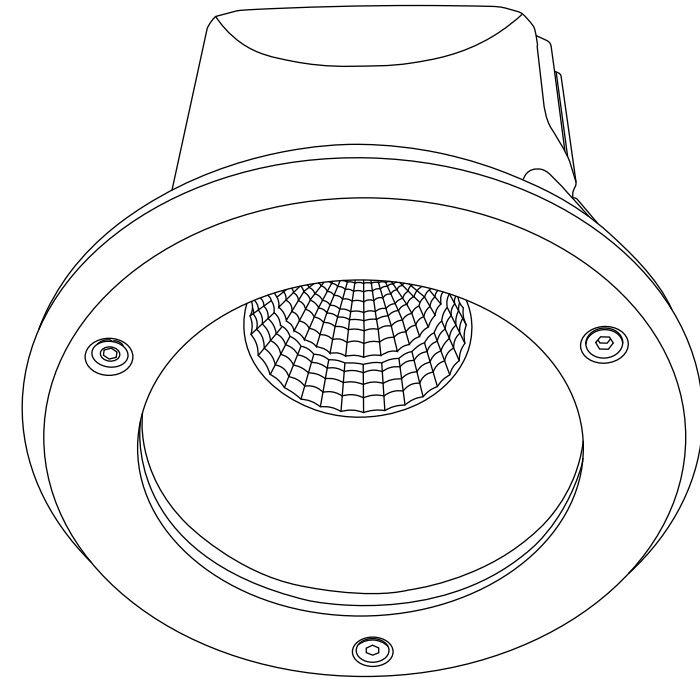
- 6** Do not cover luminaire or driver with thermally insulating material (**A**). It is recommended to allow a minimum of 50 mm clearance above the luminaire as shown in (**B**).



- 7** Restore power once installation has been completed.



# Miniled XDV10 Recessed Downlight Installation Guide



V1-26.02.2024 Product designs and technical data may be subject to change



**For warranty information, please visit**

[trendlighting.com.au/warranty](http://trendlighting.com.au/warranty)

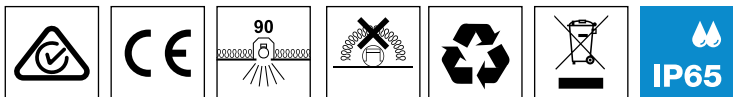
**Important Safety Information**

Please read these installation instructions carefully before installing this luminaire.

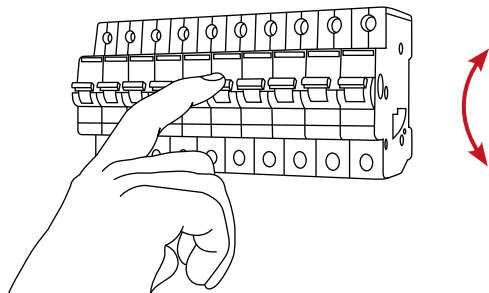
- This product must be installed by a licensed electrician in accordance with AS/NZS 3000 and local regulations.
- Isolate the mains power supply prior to installation.
- Only reconnect mains power after installation is completed.
- No part of the luminaire should be altered or modified.
- This product is not user serviceable.

**Approvals**

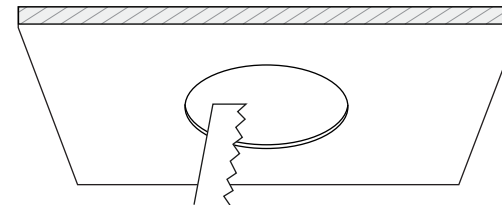
The RCM marking of this product applies to AS/NZS 4417.1 "Regulatory compliance mark (RCM) for electrical and electronic equipment". This product is designed to conform to AS/NZS 60598 "Luminaires, general requirements and tests".



**1** Isolate the mains power supply prior to commencing installation.

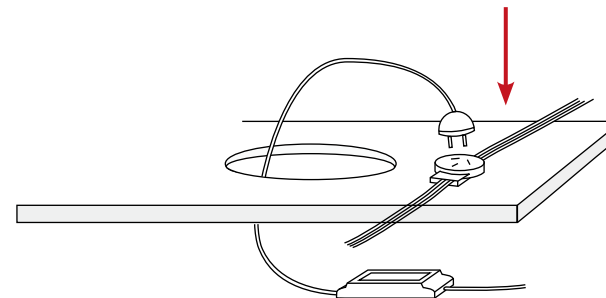


**2** Mark at the correct location. Cut a hole in the ceiling in accordance with cutout size. XDV10 ceiling cutout: **125 mm**



To maintain IP65 rating on XDV10, ensure that the luminaire is installed on a flat level ceiling and that the luminaire has an adequate seal to the mounting surface.

**3** Connect luminaire to 240V plug socket.



**4** Unscrew the 3 hex screws to remove the face.

