



Scan to explore  
VSL6 online

# Spike VSL6

6W IP65 Rated Exterior Spike Light

Product Code	Colour Temperature	Colour Technology	Beam Angle	Trim Colour	Accessories *
VSL6	3 (3000K)	(CRI 80+ Standard)	MB (Medium)	B (Black)	GLS Glare Shield

Order Code **VSL63-MB-B**

\* Optional accessories



## Product Features

- Surface mounted IP65 rated adjustable spike light, offering a flexible solution for landscape and architectural lighting
- Manufactured from 316 stainless steel with a powder coat finish
- CRI 80+ available in 3000K CCT option
- Provided with garden spike attachment
- Compatible driver models available upon request

## Requirements

12V DC 500mA constant voltage driver

## Product Attributes

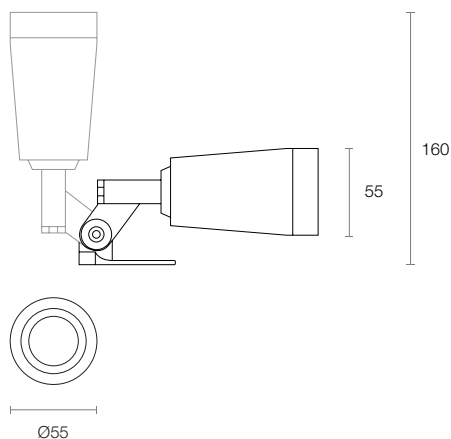


To configure this spike light, please visit  
[trendlighting.com.au/product/spike-VSL6](http://trendlighting.com.au/product/spike-VSL6)

## Physical Characteristics

Trim Colour	Black
Dimensions	Ø55 x 160 (H) mm
Tilt Angle	90°
Weight	688 g

## Dimensions (mm)



## Technical Characteristics

Based on VSL63-MB-B

LED Power	6W
LED Type	COB
Lumen Output	540 lm
Luminous Flux	467 lm
Efficacy	77.83 lm/W
Colour Temperature	3000K
Colour Technology	CRI 80+
Colour Deviation	SDCM ≤ 3
Lifetime	50,000 hours (L80)
Beam Angle	Medium
System Power	6W Typical (12V DC 500mA)

## General Characteristics

Category	Exterior
Family	Spike
Surface	Floor   Wall
Mounting	Surface Mounted
Ingress Protection	IP65



Scan to explore  
VSL6 online

# Spike VSL6

6W IP65 Rated Exterior Spike Light

Product Code	Colour Temperature	Colour Technology	Beam Angle	Trim Colour	Accessories *
VSL6	3 (3000K)	(CRI 80+ Standard)	MB (Medium)	B (Black)	GLS Glare Shield

Order Code **VSL63-MB-B**

\* Optional accessories

To configure this wall light, please visit  
[trendlighting.com.au/product/spike-VSL6](http://trendlighting.com.au/product/spike-VSL6)

## Trim Colour



B  
Black Trim

## Attachment



Garden Spike

## Accessories \*



GLS  
Glare Shield