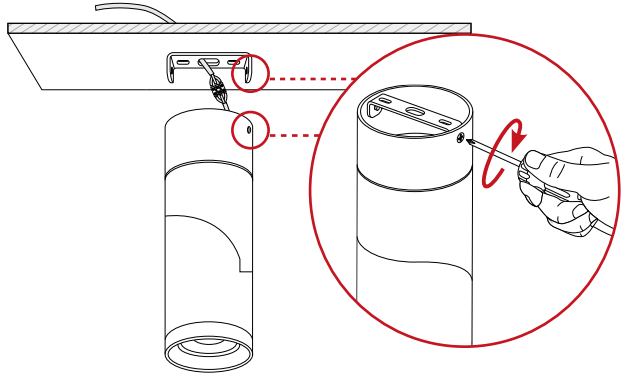
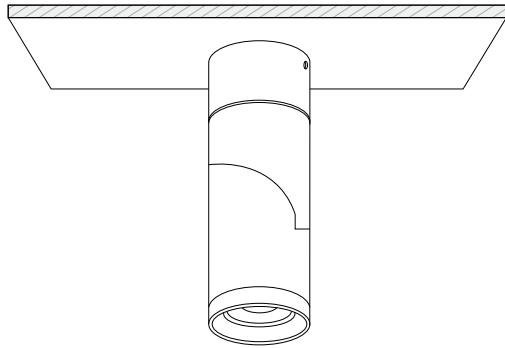


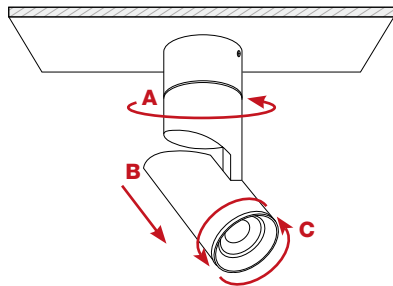
5 Tighten the screws to secure the luminaire's body to the mounting bracket on the ceiling.



6 Restore power once installation has been completed.

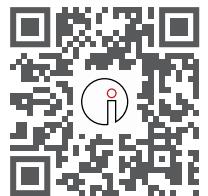
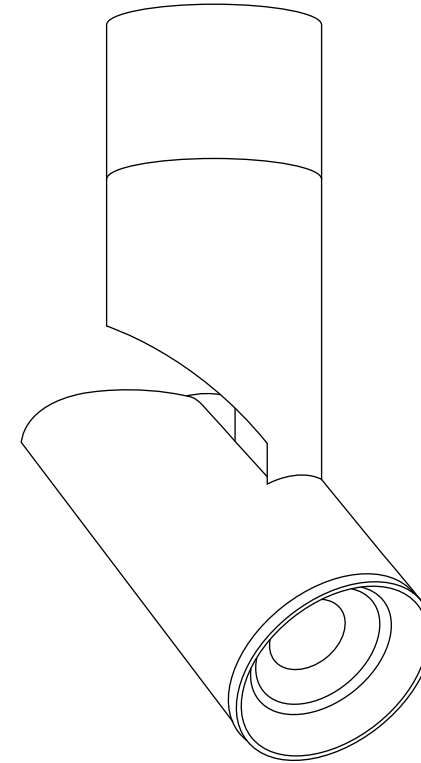


7 The fixture features a fully adjustable design with 350° horizontal rotation (**A**) and 90° vertical tilt (**B**). Twisting the zoomable lens (**C**) allows for altering the beam angle — twisting left widens the beam to 70°, while twisting right narrows it to 20°.



V1-14.05.2024 Product designs and technical data may be subject to change.

Surface XSF25 LED Downlight Installation Guide



For warranty information, please visit
trendlighting.com.au/warranty

Important Safety Information

Please read these installation instructions carefully before installing this luminaire.

- This product must be installed by a licensed electrician in accordance with AS/NZS 3000 and local regulations.
- Isolate the mains power supply prior to installation.
- Only reconnect mains power after installation is completed.
- No part of the luminaire should be altered or modified.
- This product is not user serviceable.

General Information



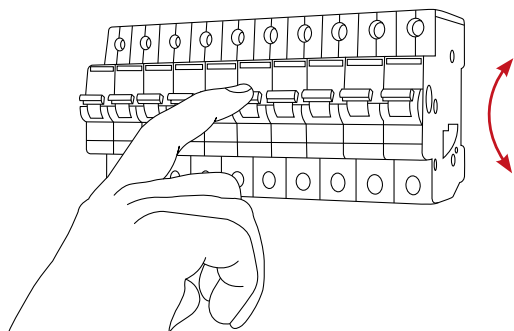
Product Code

XSF25

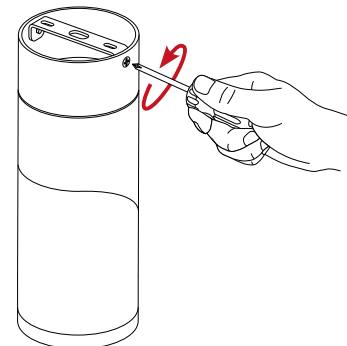
Dimensions

Ø76 mm x 214 (H) mm

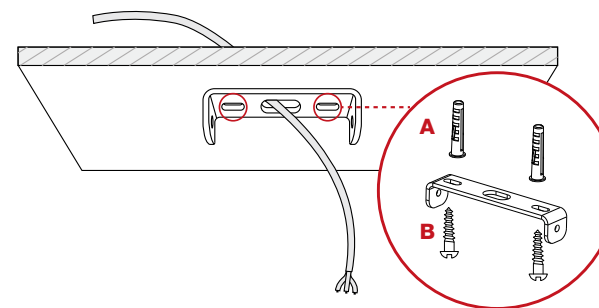
1 Isolate the mains power supply prior to commencing installation.



2 Loosen the screw to unscrew the mounting bracket from the luminaire's body.



3 Attach the mounting bracket into the ceiling using plugs (A) and screws (B).



4 Connect 240V power feed to the terminal block of the luminaire.

