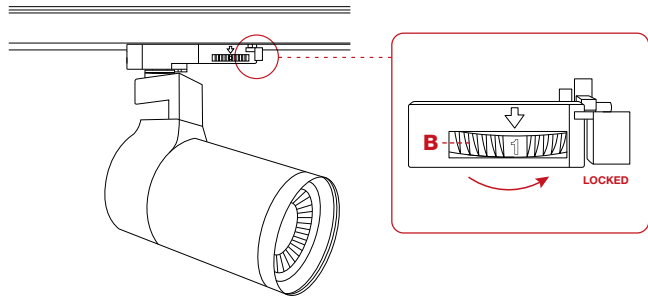


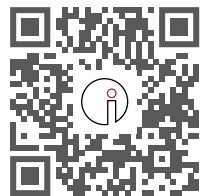
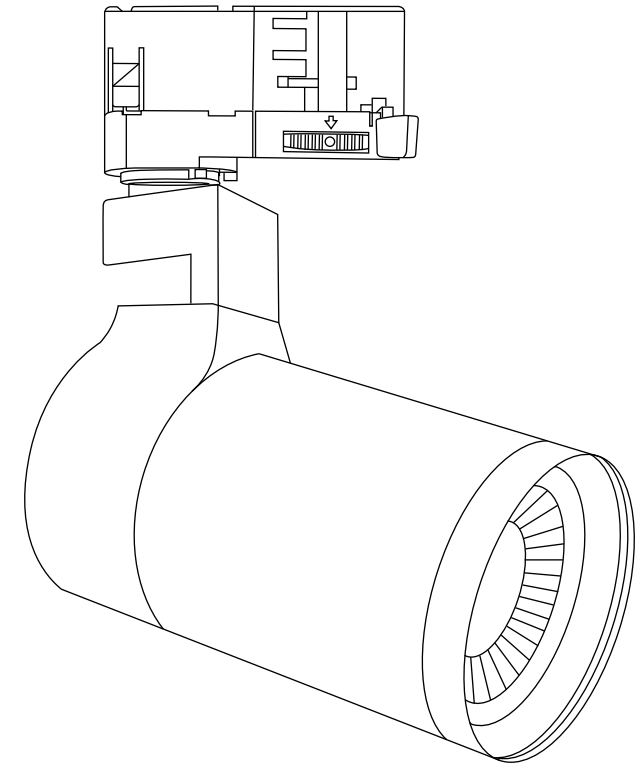
**5** Connect / Reconnect track to power and switch the track selection knob **(B)** to the required circuit (Circuit 1 shown below).



V1-02.05.2024 Product designs and technical data may be subject to change.

# Track Spot XTO10

## Installation Guide



For warranty information, please visit  
trendlighting.com.au/warranty

### Important Safety Information

Please read these installation instructions carefully before installing this luminaire.

- This product must be installed by a licensed electrician in accordance with AS/NZS 3000 and local regulations.
- Isolate the mains power supply prior to installation.
- Only reconnect mains power after installation is completed.
- No part of the luminaire should be altered or modified.
- This product is not user serviceable.

### Installation Notes



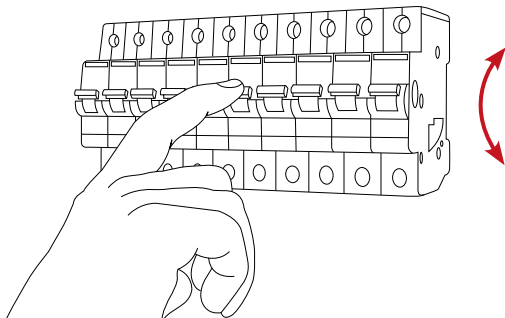
#### Product Code

XTO10

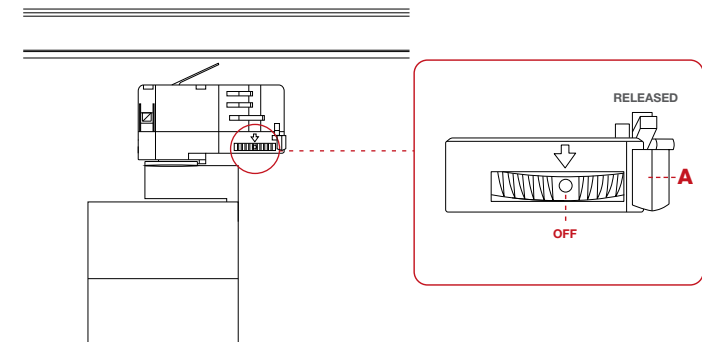
#### Dimensions

Ø60 x 136 (H) mm

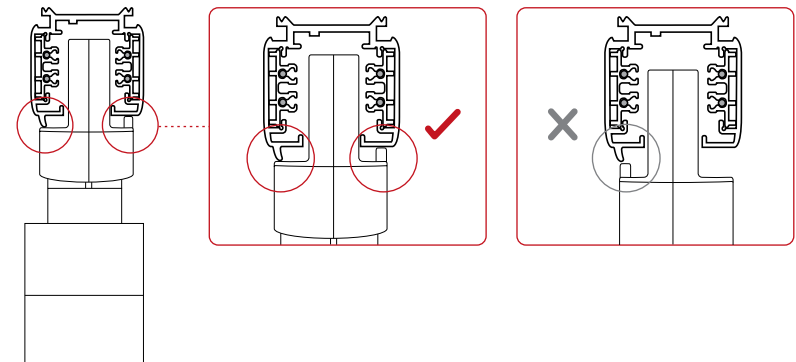
- 1** Isolate the mains power supply prior to commencing installation.



- 2** Check to ensure the circuit selector knob is set to 'off' and the locking lever (A) is in the 'released' position.



- 3** Ensure the track connector is oriented correctly in the track.



- 4** Insert luminaire into the track and move locking lever (A) to the locked position.

