



Scan to explore
ZDT44 online

Troffer ZDT44

30W Recessed Diffused Troffer

| Product Code | Colour Temperature | Colour Technology | Beam Angle | Trim Colour | Driver | Emergency Kits * |
|--------------|--------------------|--------------------|----------------|-------------|----------------------------------|-----------------------------|
| ZDT44 | 2.7 (2700K) | (CRI 90+ Standard) | VW (Very Wide) | W (White) | ND (Non-dimmable) DALI (DALI) | EMB (Maintained Backup) |
| | 3 (3000K) | | | | | ENB (Non-maintained Backup) |
| | 3.5 (3500K) | | | | | |
| | 4 (4000K) | | | | | |
| | 5 (5000K) | | | | | |

Order Code **ZDT444-VW-W-ND**

* Optional emergency kits



Product Features

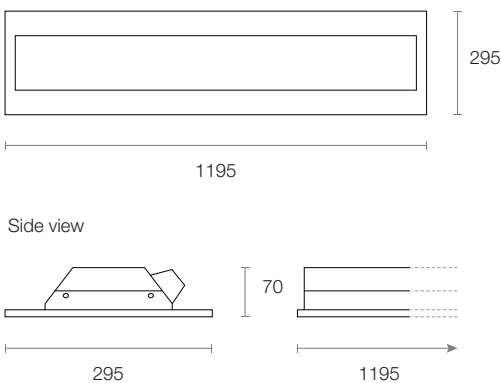
- Recessed LED high-powered diffused troffer with low profile manufactured using Japanese-based dies
- Powder coated aluminium housing with acrylic diffuser for smooth uniform light distribution
- Suitable for mounting in metric T-Bar ceiling applications
- CRI 90+ available in 2700K, 3000K, 3500K, 4000K and 5000K CCT options
- Supplied with an integral driver and internally mounted 4 mm terminal block

To configure this troffer, please visit
trendlighting.com.au/product/troffer-ZDT44

Physical Characteristics

| | |
|--------------------|--------------------|
| Trim Colour | White |
| Dimensions (LxWxH) | 1195 x 295 x 70 mm |
| Weight | 5.3 kg |

Dimensions (mm)



Product Attributes



Technical Characteristics

Based on ZDT444-VW-W-ND

| | |
|--------------------|---------------------------------------|
| LED Power | 30W |
| LED Type | SMD |
| Lumen Output | 4464 lm |
| Luminous Flux | 3036 lm |
| Efficacy | 92 lm/W |
| Colour Temperature | 2700K 3000K 3500K 4000K 5000K |
| Colour Technology | CRI 90+ |
| Colour Deviation | SDCM ≤ 3 |
| Lifetime | 50,000 hours (L70) |
| Beam Angle | Very Wide |
| System Power | 33W Typical |
| Driver Model | Trend 150232 (Non-dim) |
| Input | 220-240V AC 50/60 Hz |
| Output | 24V DC 2.08A |
| Power Factor | >0.93 |
| Protection | OVP, OTP, OCP, SCP, OPP |
| Dimming | Non-dimmable DALI |

General Characteristics

| | |
|--------------------|-------------------|
| Category | Panels & Troffers |
| Family | Troffer |
| Surface | Ceiling |
| Mounting | Recessed |
| Insulation Contact | Non-IC |
| Ingress Protection | IP20 |



Scan to explore
ZDT44 online

Troffer ZDT44

30W Recessed Diffused Troffer

| Product Code | Colour Temperature | Colour Technology | Beam Angle | Trim Colour | Driver | Emergency Kits * |
|--------------|--------------------|--------------------|----------------|-------------|----------------------------------|-----------------------------|
| ZDT44 | 2.7 (2700K) | (CRI 90+ Standard) | VW (Very Wide) | W (White) | ND (Non-dimmable) DALI (DALI) | EMB (Maintained Backup) |
| | 3 (3000K) | | | | | ENB (Non-maintained Backup) |
| | 3.5 (3500K) | | | | | |
| | 4 (4000K) | | | | | |
| | 5 (5000K) | | | | | |

Order Code **ZDT444-VW-W-ND**

* Optional emergency kits

To configure this troffer, please visit
trendlighting.com.au/product/troffer-ZDT44

Trim Colour



W
White Trim

Emergency Kits *

EMB
Emergency Kit with Maintained Backup

- Illuminated all the time for safety but has the capacity to be switched on and off
- Continues to illuminate at a lower-level in the event of loss of power using its battery backup supply

ENB
Emergency Kit with Non-maintained Backup

- Only illuminates in the event of a loss of power
- When power fails, the fixture switches on using its battery backup supply