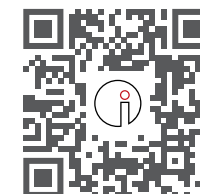
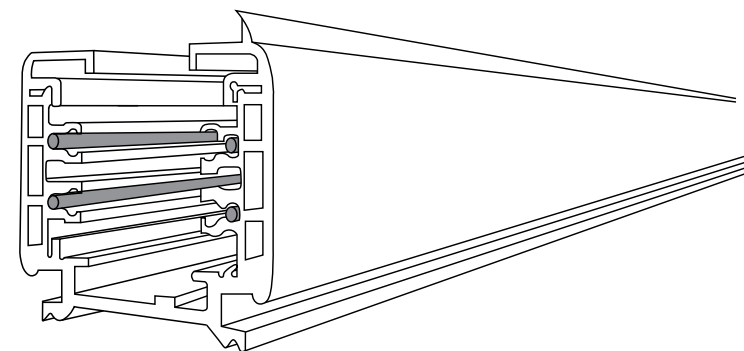


V1-05-04.2024 Product designs and technical data may be subject to change.

# 3 Circuit Track TRA3C Standard Track Installation Guide



**For warranty information, please visit**  
trendlighting.com.au/warranty

**Important Safety Information**

Please read these installation instructions carefully before installing this luminaire.

- This product must be installed by a licensed electrician in accordance with AS/NZS 3000 and local regulations.
- Isolate the mains power supply prior to installation.
- Only reconnect mains power after installation is completed.
- No part of the luminaire should be altered or modified.
- This product is not user serviceable.

**Installation Notes**



Product Code	Dimensions	Maximum Length
TRA3C-TRA-W*	33 (W) x 35 (H) mm	3000 mm
TRA3C-TRA-B*	33 (W) x 35 (H) mm	3000 mm
TRA3C-TRA-S*	33 (W) x 35 (H) mm	3000 mm

\* TRA3C-TRA is available in White (W), Black (B) and Silver (S) trim colour options.

