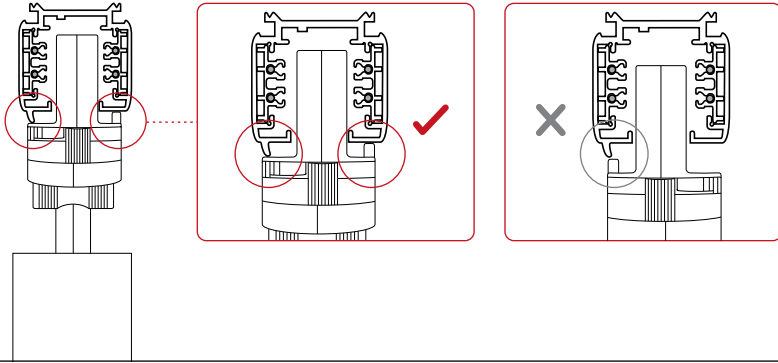


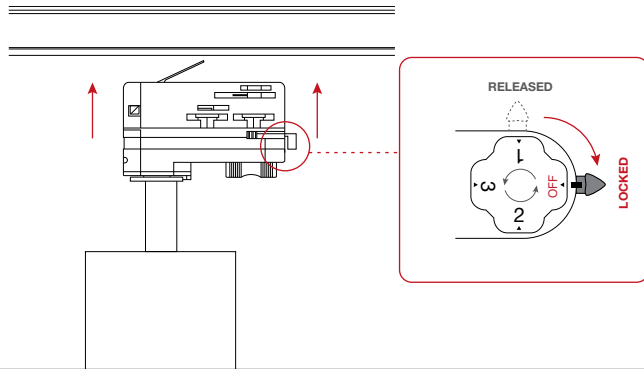
5

Ensure the track connector is orientated correctly in the track.



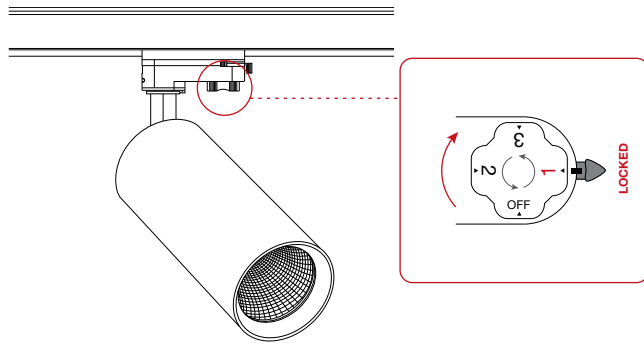
6

Insert luminaire into the track and move locking lever to the locked position.



7

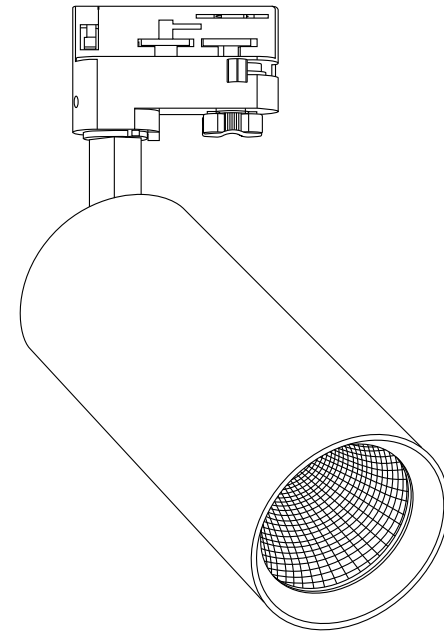
Connect / Reconnect track to power and switch the track selection knob to the required circuit (Circuit 1 shown below).



V1-10.11.2023 Product designs and technical data may be subject to change

Auro TS1525 Switchable Wattage Tricolour LED Track Spot

Installation Guide



Scan to explore
TS1525 online

For warranty information, please visit
trendlighting.com.au/warranty

Important Safety Information

Please read these installation instructions carefully before installing this luminaire.

- This product must be installed by a licensed electrician in accordance with AS/NZS 3000 and local regulations.
- Isolate the mains power supply prior to installation.
- Only adjust the Wattage and CCT switch when luminaire is powered off.
- Only reconnect mains power after installation is completed.
- No part of the luminaire should be altered or modified.
- This product is not user serviceable.

Installation Notes



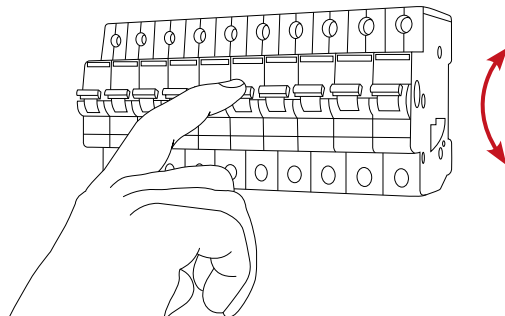
Product Code

Dimensions

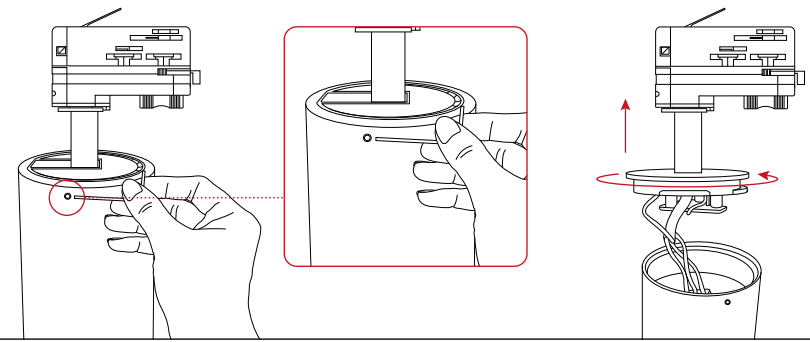
Black Trim	White Trim
TS1525-TRI-B-ND	TS1525-TRI-W-ND

Ø85 x 270 (H) mm

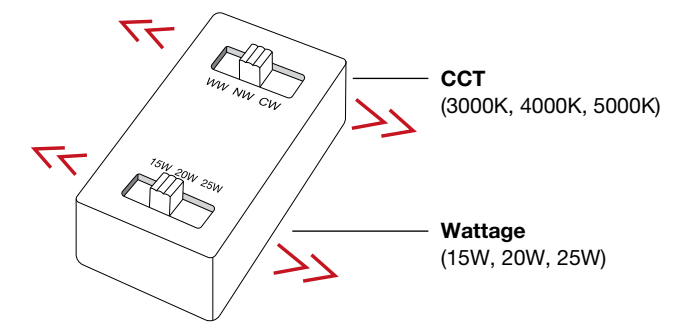
1 Isolate the mains power supply prior to commencing installation.



2 Loosen the grub screw to unscrew the mounting plate. Detach the mounting plate by twisting and pulling it upwards. Set the preferred wattage and colour temperature options using the selection switch.



3 Only adjust wattage and colour temperature (CCT) options when luminaire is powered off. Selection switch (located inside rear of luminaire) illustration is shown below.



4 Put fitting back together and check to ensure the circuit selector knob is set to 'off' and the locking lever is in the 'released' position.

