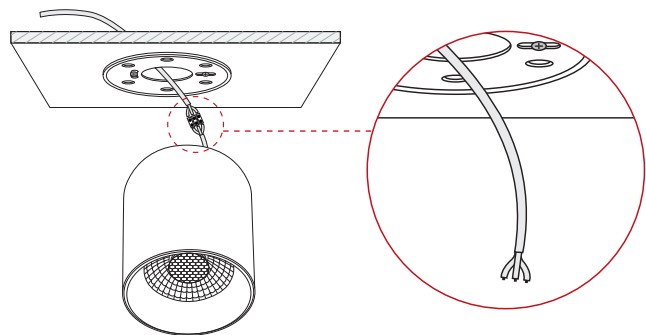


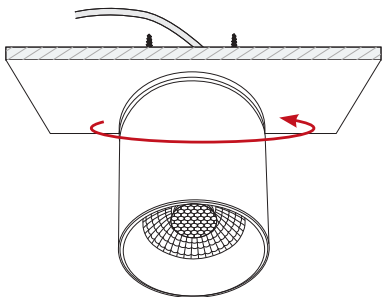
4

Connect 230V power feed to the terminal block of the luminaire.



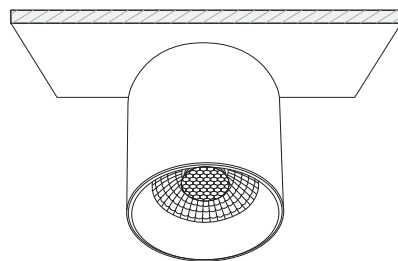
5

Twist and secure luminaire to mounting base plate.



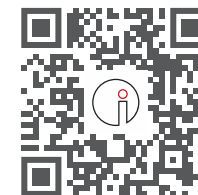
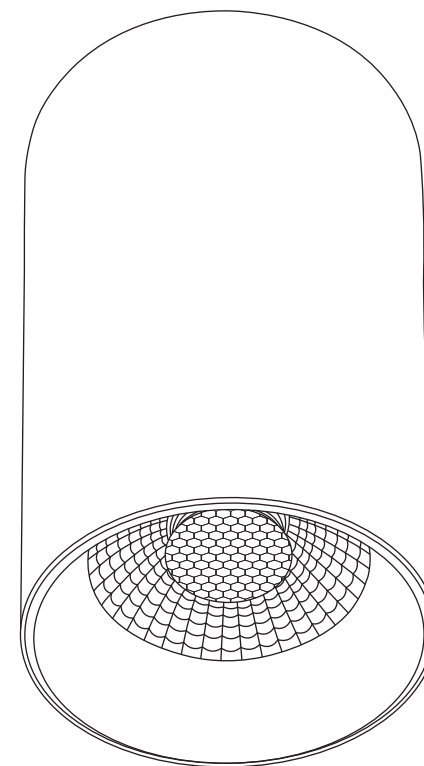
6

Restore power once installation has been completed.



V2-20.07.2023 Product designs and technical data may be subject to change

# Candela CAN12 Surface Mounted Tricolour LED Downlight *Installation Guide*



Scan to explore  
CAN12 online

**For warranty information, please visit**  
[trendlighting.com.au/warranty](http://trendlighting.com.au/warranty)

**Important Safety Information**

Please read these installation instructions carefully before installing this luminaire.

- This product must be installed by a licensed electrician in accordance with AS/NZS 3000 and local regulations.
- Isolate the mains power supply prior to installation.
- Only adjust the CCT switch when luminaire is powered off.
- Only reconnect mains power after installation is completed.
- No part of the luminaire should be altered or modified.
- This product is not user serviceable.

**Installation Notes**



**Product Code**

**Dimensions**

White Trim White Insert	White Trim Black Insert	Black Trim Black Insert	
CAN12-TRI-W-WI-LT	CAN12-TRI-W-BI-LT *	CAN12-TRI-B-BI-LT *	Ø95 x 150 (H) mm

**Mounting Base Plate**

