



Scan to explore  
RFA150 online

# Highbay RFA150

150W IP66 Rated Compact Highbay

Product Code	Colour Temperature	Colour Technology	Beam Angle	Trim Colour	Driver
RFA150	4 (4000K)	(CRI 90+ Standard)	WB (Wide)	B (Black)	ND (Non-dimmable) DALI (DALI)

Order Code **RFA1504-WB-B-ND**



## Product Features

- Compact LED highbay with a high lumen output and wide light distribution
- Sealed body manufactured from die-cast aluminium with a durable powder coated finish, providing an IP66 rating
- Specially developed optical design provides a uniform rectangular 60° x 90° beam distribution
- Also available in other power options ([RFA80](#) and [RFA100](#))
- CRI 90+ available in 4000K CCT option
- Supplied with an integral driver

## Product Attributes

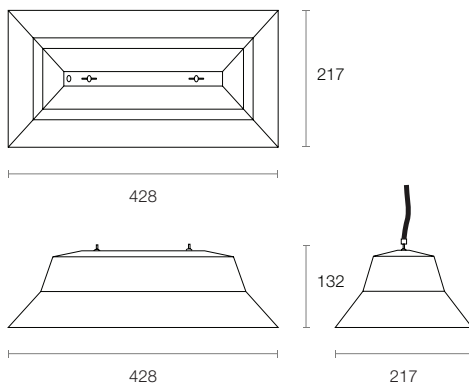


To configure this pendant, please visit  
[trendlighting.com.au/product/highbay-RFA150](http://trendlighting.com.au/product/highbay-RFA150)

## Physical Characteristics

Trim Colour	Black
Dimensions (LxWxH)	428 x 217 x 132 mm
Suspension Height	1500 mm Max
Weight	4200 g

## Dimensions (mm)



## Technical Characteristics

Based on RFA1504-WB-B-ND

LED Power	150W
LED Type	COB
Lumen Output	21000 lm
Luminous Flux	16883 lm
Efficacy	101.70 lm/W
Colour Temperature	4000K
Colour Technology	CRI 90+
Colour Deviation	SDCM ≤ 3
Lifetime	50,000 hours (L80)
Beam Angle	Wide
System Power	166W Typical
Driver Model	Trend 150429 (Non-dim)
Input	110-230V AC 50/60 Hz
Output	48V DC 2.8A
Power Factor	>0.93
Protection	OVP, OTP, OCP, SCP, OPP
Driver IP Rating	IP65
Dimming	Non-dimmable   DALI

## General Characteristics

Category	Pendants
Family	Highbay
Surface	Ceiling
Mounting	Suspended, Surface Mounted
Ingress Protection	IP66