

Scan to explore
XDF55 online

Maxiled XDF55

55W IP65 Rated Recessed Downlight

Product Code	Colour Temperature	Colour Technology	Beam Angle	Trim Colour	Insert Colour	Driver
XDF55	2.7 (2700K)	(CRI 90+ Standard)	MB (Medium)	W (White)	WI (White)	DALI (DALI)
	3 (3000K)	V (CRI 93+ VIVID)	WB (Wide)	B (Black)	BI (Black)	ND (Non-dimmable)
	3.5 (3500K)	R (CRI 97+ Standard)			SI (Silver)	
	4 (4000K)				GI (Gold)	

Order Code **XDF554-WB-W-WI-ND**

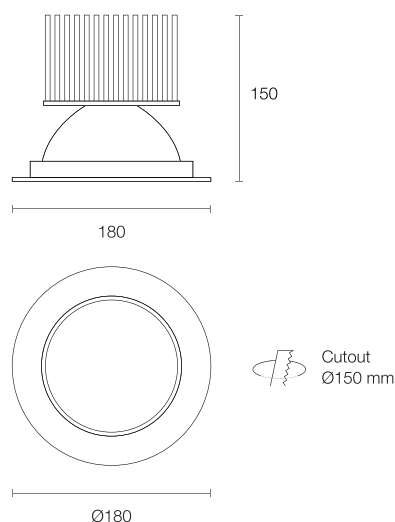


To configure this downlight, please visit
trendlighting.com.au/product/maxiled-XDF55

Physical Characteristics

Trim Colour	White Black
Insert Colour	White Black Silver Gold
Dimensions	Ø180 x 150 (H) mm
Spring Height	35 mm
Cutout	Circular 150 mm
Weight	1000 g

Dimensions (mm)



Product Features

- Recessed IP65 rated LED downlight known for its quality, reliability and performance
- Sealed face with silicone gasket for increased ingress protection
- Equipped with large pressure cast aluminium heatsink, providing effective thermal management for a high output and long lifespan
- A wide choice of power options and sizes available (XDF10, XDF15, XDF25 and XDF35)
- CRI 90+ available in 2700K, 3000K, 3500K and 4000K CCT options; CRI 97+ and CRI 93+ VIVID available in 2700K, 3000K, and 4000K CCT options
- Supplied with a remote driver

Product Attributes



Technical Characteristics

Based on XDF554-WB-W-WI-ND

LED Power	55W
LED Type	COB
Lumen Output	6908 lm
Luminous Flux	5083 lm
Efficacy	86.45 lm/W
Colour Temperature	2700K 3000K 3500K 4000K
Colour Technology	CRI 90+ CRI 93+ VIVID CRI 97+
Colour Deviation	SDCM ≤ 2
Lifetime	50,000 hours (L80)
Beam Angle	Medium Wide

System Power	58.8W Typical
Driver Model	Trend 150090-1000 (Non-dim)
Input	180-277V AC 50/60 Hz
Output	50-75V DC 1000mA
Power Factor	>0.90
Protection	OVP, OTP, OCP, SCP, OPP
Dimming	DALI Non-dimmable

General Characteristics

Category	Downlights
Family	Maxiled
Surface	Ceiling
Mounting	Recessed
Insulation Contact	Non-IC
Ingress Protection	IP65



Scan to explore
XDF55 online

Maxiled XDF55

55W IP65 Rated Recessed Downlight

Product Code	Colour Temperature	Colour Technology	Beam Angle	Trim Colour	Insert Colour	Driver
XDF55	2.7 (2700K)	(CRI 90+ Standard)	MB (Medium)	W (White)	WI (White)	DALI (DALI)
	3 (3000K)	V (CRI 93+ VIVID)	WB (Wide)	B (Black)	BI (Black)	ND (Non-dimmable)
	3.5 (3500K)	R (CRI 97+ Standard)			SI (Silver)	
	4 (4000K)				GI (Gold)	

Order Code **XDF554-WB-W-WI-ND**

To configure this downlight, please visit
trendlighting.com.au/product/maxiled-XDF55

Trim Colour



W
White Trim



B
Black Trim

Insert Colour



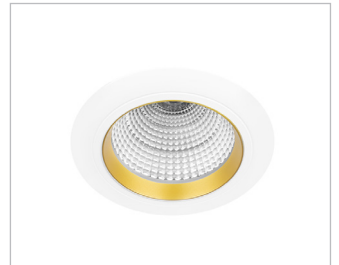
WI
White Insert



BI
Black Insert



SI
Silver Insert



GI
Gold Insert