



Scan to explore
[XLB60](#) online

MegaLED XLB60

60W Recessed Downlight

Product Code	Colour Temperature	Colour Technology	Beam Angle	Trim Colour	Driver
XLB60	2.7 (2700K)	(CRI 90+ Standard)	WB (Wide)	W (White)	DALI (DALI)
	3 (3000K)				ND (Non-dimmable)
	3.5 (3500K)				
	4 (4000K)				

Order Code **XLB604-WB-W-ND**

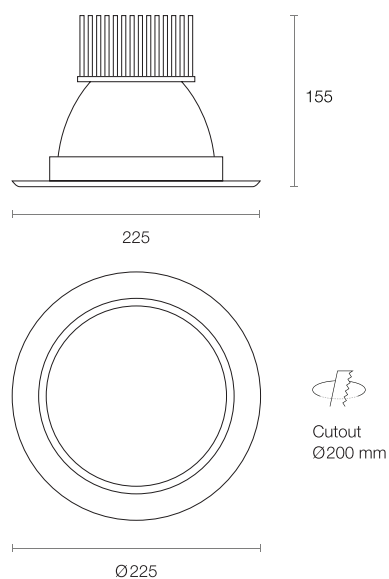


To configure this downlight, please visit
trendlighting.com.au/product/megaled-XLB60

Physical Characteristics

Trim Colour	White
Dimensions	Ø225 x 155 (H) mm
Cutout	Circular 200 mm
Weight	1300 g

Dimensions (mm)



Product Features

- Recessed LED downlight, featuring large diameter and cut-out ideal for use in place of existing CFL downlights
- Black anodised pressure cast aluminium heatsink provides optimal thermal management ensuring high output and long lifespan
- CRI 90+ available in 2700K, 3000K, 3500K and 4000K CCT options
- Supplied with a remote driver

Product Attributes



Technical Characteristics

Based on XLB604-WB-W-ND

LED Power	60W
LED Type	COB
Lumen Output	6908 lm
Luminous Flux	5115 lm
Efficacy	81.06 lm/W
Colour Temperature	2700K 3000K 3500K 4000K
Colour Technology	CRI 90+
Colour Deviation	SDCM ≤ 2
Lifetime	50,000 hours
Beam Angle	Wide

System Power	63.1W Typical
Driver Model	Trend 150090-1000 (Non-dim)
Input	180-277V AC 50/60 Hz
Output	50-75V DC 1000mA
Power Factor	>0.90
Protection	OVP, OTP, OCP, SCP, OPP
Dimming	Non-dimmable DALI

General Characteristics

Category	Downlights
Family	MegaLED
Surface	Ceiling
Mounting	Recessed
Insulation Contact	Non-IC
Ingress Protection	IP44