



Scan to explore
XMB225 online

Midiled XMB225

2 x 25W Recessed Adjustable Rectangular Downlight

Product Code	Colour Temperature	Colour Technology	Beam Angle	Trim Colour	Driver
XMB225	2.7 (2700K)	(CRI 90+ Standard)	NB (Narrow)	W (White)	ND (Non-dimmable)
	3 (3000K)	V (CRI 93+ VIVID)	MB (Medium)	B (Black)	LT (Leading & Trailing Edge)
	3.5 (3500K)	R (CRI 97+ Standard)	WB (Wide)	S (Silver)	DALI (DALI)
	4 (4000K)				

Order Code **XMB2254-WB-W-ND**



Product Features

- Twin recessed adjustable LED downlight in rectangular housing
- Also available in a single spot (XMB125) or as a row of three (XMB325)
- Anodised black heatsink for optimum thermal management, ensuring high output and long lifespan
- CRI 90+ available in 2700K, 3000K, 3500K and 4000K CCT options; CRI 93+ VIVID and CRI 97+ available in 2700K, 3000K and 4000K CCT options
- Supplied with a remote driver

Product Attributes

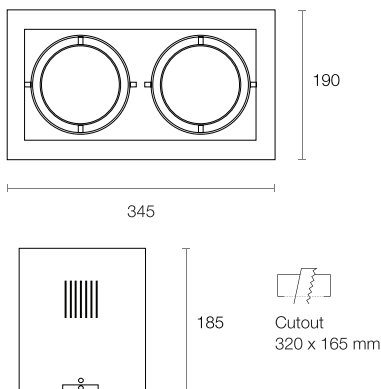


To configure this downlight, please visit
trendlighting.com.au/product/midiled-XMB225

Physical Characteristics

Trim Colour	White Black Silver
Tilt Angle	35° x 35°
Dimensions (LxWxH)	345 x 190 x 185 mm
Spring Height	22 mm
Cutout	Rectangular 320 x 165 mm
Weight	3795 g

Dimensions (mm)



Technical Characteristics

Based on XMB2254-WB-W-ND

LED Power	2 x 25W
LED Type	COB
Lumen Output	5910 lm
Luminous Flux	4882 lm
Efficacy	92.46 lm/W
Colour Temperature	2700K 3000K 3500K 4000K
Colour Technology	CRI 90+ CRI 93+ VIVID CRI 97+
Colour Deviation	SDCM ≤ 2
Lifetime	50,000 hours (L80)
Beam Angle	Narrow Medium Wide

System Power	52.8W Typical
Driver Model	Trend 150020-700 (Non-dim) x 2
Input	180-265V AC 50/60 Hz
Output	30-40V DC 700mA
Power Factor	>0.90
Protection	OVP, OTP, OCP, SCP, OPP
Dimming	Non-dimmable Leading & Trailing Edge DALI

General Characteristics

Category	Downlights
Family	Midiled
Surface	Ceiling
Mounting	Recessed
Insulation Contact	Non-IC
Ingress Protection	IP20



Scan to explore
XMB225 online

Midiled XMB225

2 x 25W Recessed Adjustable Rectangular Downlight

Product Code	Colour Temperature	Colour Technology	Beam Angle	Trim Colour	Driver
XMB225	2.7 (2700K)	(CRI 90+ Standard)	NB (Narrow)	W (White)	ND (Non-dimmable)
	3 (3000K)	V (CRI 93+ VIVID)	MB (Medium)	B (Black)	LT (Leading & Trailing Edge)
	3.5 (3500K)	R (CRI 97+ Standard)	WB (Wide)	S (Silver)	DALI (DALI)
	4 (4000K)				

Order Code **XMB2254-WB-W-ND**

To configure this downlight, please visit
trendlighting.com.au/product/midiled-XMB225

Trim Colour



W
White Trim



B
Black Trim



S
Silver Trim