



Scan to explore  
XMB325 online

# Midiled XMB325

3 x 25W Recessed Adjustable Rectangular Downlight

Product Code	Colour Temperature	Colour Technology	Beam Angle	Trim Colour	Driver
XMB325	2.7 (2700K)	(CRI 90+ Standard)	NB (Narrow)	W (White)	ND (Non-dimmable)
	3 (3000K)	V (CRI 93+ VIVID)	MB (Medium)	B (Black)	LT (Leading & Trailing Edge)
	3.5 (3500K)	R (CRI 97+ Standard)	WB (Wide)	S (Silver)	DALI (DALI)
	4 (4000K)				

Order Code **XMB3254-WB-W-ND**



## Product Features

- Triple recessed adjustable LED downlight in rectangular housing
- Also available in a single spot (XMB125) or as a twin configuration (XMB225)
- Anodised black heatsink for optimum thermal management, ensuring high output and long lifespan
- CRI 90+ available in 2700K, 3000K, 3500K and 4000K CCT options; CRI 93+ VIVID and CRI 97+ available in 2700K, 3000K and 4000K CCT options
- Supplied with a remote driver

## Product Attributes

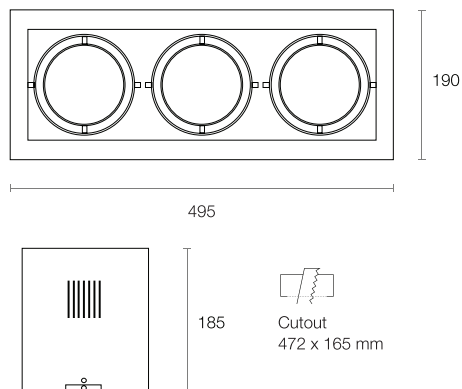


To configure this downlight, please visit  
[trendlighting.com.au/product/midiled-XMB325](http://trendlighting.com.au/product/midiled-XMB325)

## Physical Characteristics

Trim Colour	White   Black   Silver
Tilt Angle	35° x 35°
Dimensions (LxWxH)	495 x 190 x 185 mm
Spring Height	22 mm
Cutout	472 x 165 mm
Weight	4825 g

## Dimensions (mm)



## Technical Characteristics

Based on XMB3254-WB-W-ND

LED Power	3 x 25W
LED Type	COB
Lumen Output	8865 lm
Luminous Flux	7323 lm
Efficacy	92.46 lm/W
Colour Temperature	2700K   3000K   3500K   4000K
Colour Technology	CRI 90+   CRI 93+ VIVID   CRI 97+
Colour Deviation	SDCM ≤ 2
Lifetime	50,000 hours (L80)
Beam Angle	Narrow   Medium   Wide

System Power	79.2W Typical
Driver Model	Trend 150020-700 (Non-dim) x 3
Input	180-265V AC 50/60 Hz
Output	30-40V DC 700mA
Power Factor	>0.90
Protection	OVP, OTP, OCP, SCP, OPP
Dimming	Non-dimmable   Leading & Trailing Edge   DALI

## General Characteristics

Category	Downlights
Family	Midiled
Surface	Ceiling
Mounting	Recessed
Insulation Contact	Non-IC
Ingress Protection	IP20



Scan to explore  
XMB325 online

# Midiled XMB325

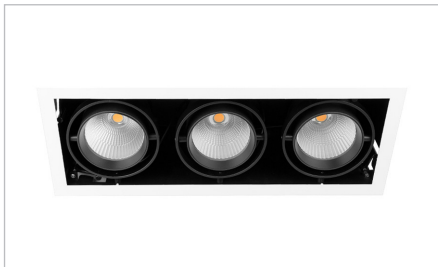
3 x 25W Recessed Adjustable Rectangular Downlight

Product Code	Colour Temperature	Colour Technology	Beam Angle	Trim Colour	Driver
<b>XMB325</b>	2.7 (2700K)	(CRI 90+ Standard)	NB (Narrow)	W (White)	ND (Non-dimmable)
	3 (3000K)	V (CRI 93+ VIVID)	MB (Medium)	B (Black)	LT (Leading & Trailing Edge)
	3.5 (3500K)	R (CRI 97+ Standard)	WB (Wide)	S (Silver)	DALI (DALI)
	4 (4000K)				

Order Code **XMB3254-WB-W-ND**

To configure this downlight, please visit  
[trendlighting.com.au/product/midiled-XMB325](http://trendlighting.com.au/product/midiled-XMB325)

## Trim Colour



W  
White Trim



B  
Black Trim



S  
Silver Trim