



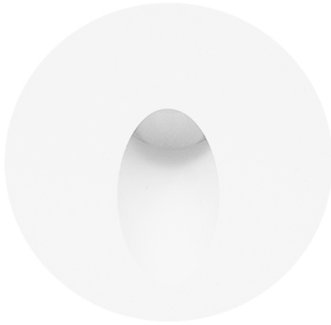
Scan to explore
VSTR3 online

Step VSTR3

3W IP67 Rated Exterior Step Light

Product Code	Colour Temperature	Colour Technology	Beam Angle	Trim Colour
VSTR3	3 (3000K)	(CRI 80+ Standard)	AS (Asymmetric)	W (White)

Order Code **VSTR33-AS-W**



To configure this step light, please visit
trendlighting.com.au/product/step-VSTR3

Product Features

- Recessed IP67 rated round LED step light with asymmetric beam distribution
- Designed to provide an aesthetic lighting solution for way-finding and architectural applications
- Optional recessed mounting canister included
- CRI 80+ available in 3000K CCT option
- Compatible driver models available upon request

Requirements

12V DC 250mA constant voltage driver

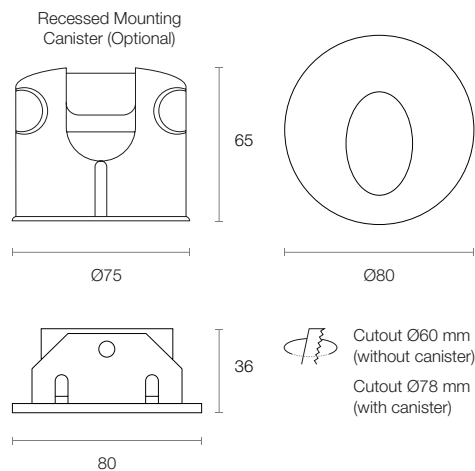
Product Attributes



Physical Characteristics

Trim Colour	White
Dimensions	Ø80 x 36 (H) mm
Cutout	Circular 60 mm
Weight	213 g

Dimensions (mm)



Technical Characteristics

Based on VSTR33-AS-W

LED Power	3W
LED Type	COB
Lumen Output	140 lm
Luminous Flux	82 lm
Efficacy	27.33 lm/W
Colour Temperature	3000K
Colour Technology	CRI 80+
Colour Deviation	SDCM ≤ 3
Lifetime	50,000 hours (L80)
Beam Angle	Asymmetric

System Power 3W Typical (12V DC 250mA)

General Characteristics

Category	Exterior
Family	Step
Surface	Wall
Mounting	Recessed
Ingress Protection	IP67