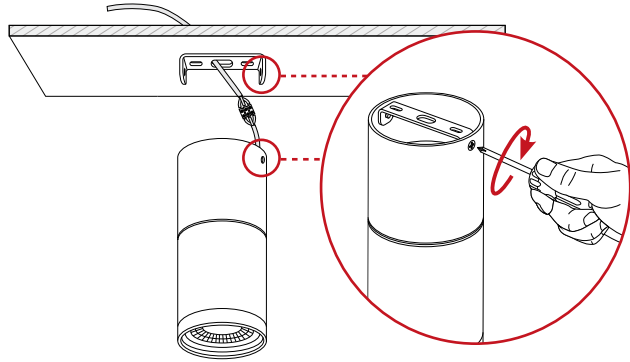
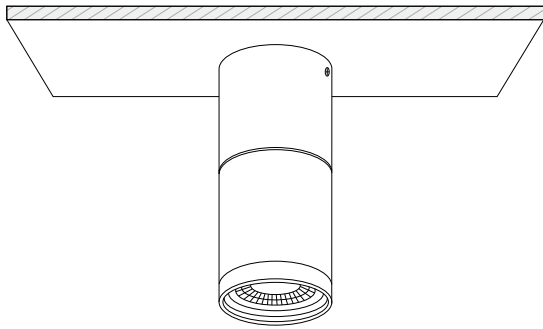


**5** Tighten the screws to secure the luminaire's body to the mounting bracket on the ceiling.

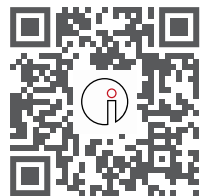
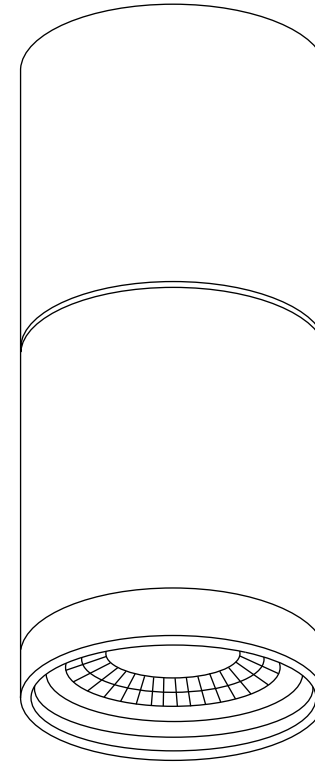


**6** Restore power once installation has been completed.



V1-04.04.2024 Product designs and technical data may be subject to change

# Surface XSO20 LED Downlight *Installation Guide*



**For warranty information, please visit**  
trendlighting.com.au/warranty

**Important Safety Information**

Please read these installation instructions carefully before installing this luminaire.

- This product must be installed by a licensed electrician in accordance with AS/NZS 3000 and local regulations.
- Isolate the mains power supply prior to installation.
- Only reconnect mains power after installation is completed.
- No part of the luminaire should be altered or modified.
- This product is not user serviceable.

**General Information**



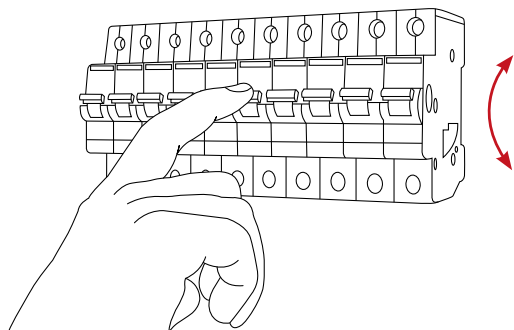
**Product Code**

XSO20

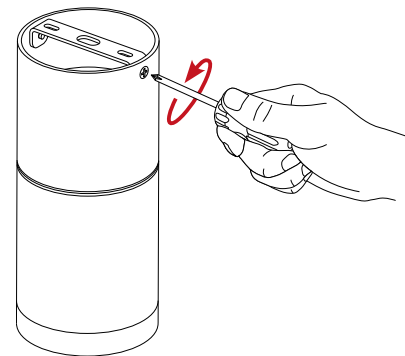
**Dimensions**

Ø83 mm x 183 (H) mm

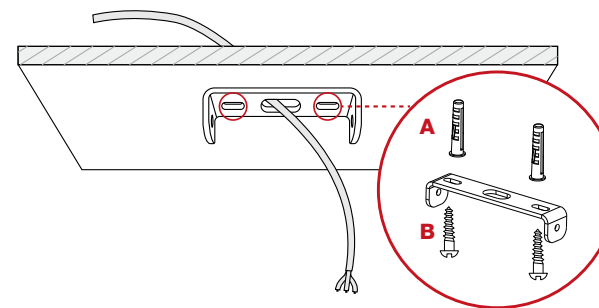
**1** Isolate the mains power supply prior to commencing installation.



**2** Loosen the screw to unscrew the mounting bracket from the luminaire's body.



**3** Attach the mounting bracket into the ceiling using plugs (A) and screws (B).



**4** Connect 240V power feed to the terminal block of the luminaire.

