



Scan to explore
XSR3525-IP65 online

Surface XSR3525-IP65

25W IP65 Rated Surface Mounted Downlight

Product Code	Colour Temperature	Colour Technology	Beam Angle	Trim Colour	Insert Colour	Driver
XSR3525-IP65	2.7 (2700K)	(CRI 90+ Standard)	NB (Narrow)	W (White)	WI (White)	TE (Trailing Edge)
	3 (3000K)	V (CRI 93+ VIVID)	MB (Medium)	B (Black)	BI (Black)	DALI (DALI)
	3.5 (3500K)	R (CRI 97+ Standard)	WB (Wide)		SI (Silver)	
	4 (4000K)				GI (Gold)	

Order Code **XSR3525-IP65-4-WB-B-BI-TE**



To configure this downlight, please visit
trendlighting.com.au/product/surface-XSR3525-IP65

Product Features

- Surface mounted LED downlight with sealed body providing an IP65 rating
- Sealed face with silicone gasket for added ingress protection
- Designed with no visible mounting screws providing a cleaner look with a large integral pin fin heatsink for excellent thermal management
- CRI 90+ available in 2700K, 3000K, 3500K and 4000K CCT options; CRI 93+ VIVID and CRI 97+ available in 2700K, 3000K and 4000K CCT options
- Supplied with an integral driver

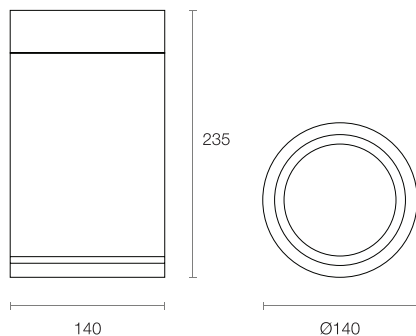
Product Attributes



Physical Characteristics

Trim Colour	White Black
Insert Colour	White Black Silver Gold
Dimensions	Ø140 x 235 (H) mm
Weight	1835 g

Dimensions (mm)



Technical Characteristics

Based on XSR3525-IP65-4-WB-B-BI-TE

LED Power	25W
LED Type	COB
Lumen Output	2955 lm
Luminous Flux	2230 lm
Efficacy	83.21 lm/W
Colour Temperature	2700K 3000K 3500K 4000K
Colour Technology	CRI 90+ CRI 93+ VIVID CRI 97+
Colour Deviation	SDCM ≤ 2
Lifetime	50,000 hours (L80)
Beam Angle	Narrow Medium Wide

System Power	26.8W Typical
Driver Model	Trend 150080-600 (T/E)
Input	220-240V AC 50/60 Hz
Output	25-42V DC 600mA
Power Factor	>0.90
Protection	OVP, OTP, OCP, SCP, OPP
Dimming	Trailing Edge DALI

General Characteristics

Category	Downlights
Family	Surface
Surface	Ceiling
Mounting	Surface Mounted
Ingress Protection	IP65



Scan to explore
XSR3525-IP65 online

Surface XSR3525-IP65

25W IP65 Rated Surface Mounted Downlight

Product Code	Colour Temperature	Colour Technology	Beam Angle	Trim Colour	Insert Colour	Driver
XSR3525-IP65	2.7 (2700K)	(CRI 90+ Standard)	NB (Narrow)	W (White)	WI (White)	TE (Trailing Edge)
	3 (3000K)	V (CRI 93+ VIVID)	MB (Medium)	B (Black)	BI (Black)	DALI (DALI)
	3.5 (3500K)	R (CRI 97+ Standard)	WB (Wide)		SI (Silver)	
	4 (4000K)				GI (Gold)	

Order Code **XSR3525-IP65-4-WB-B-BI-TE**

To configure this downlight, please visit
trendlighting.com.au/product/surface-XSR3525-IP65

Trim Colour

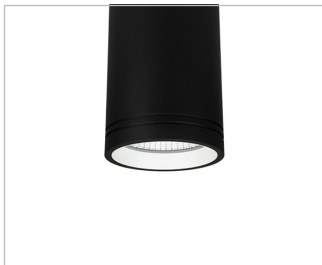


W
White Trim



B
Black Trim

Insert Colour



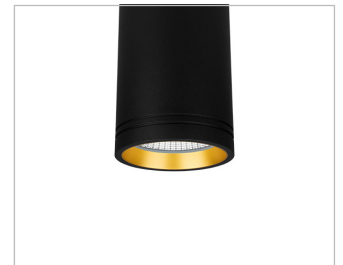
WI
White Insert



BI
Black Insert



SI
Silver Insert



GI
Gold Insert