



Scan to explore
XSR25 online

Suspended XSR25

25W Suspended Downlight

Product Code	Colour Temperature	Colour Technology	Beam Angle	Trim Colour	Insert Colour	Driver
XSR25	2.7 (2700K)	(CRI 90+ Standard)	NB (Narrow)	W (White)	WI (White)	ND (Non-dimmable)
	3 (3000K)	V (CRI 93+ VIVID)	MB (Medium)	B (Black)	BI (Black)	DALI (DALI)
	3.5 (3500K)	R (CRI 97+ Standard)	WB (Wide)	S (Silver)	SI (Silver)	
	4 (4000K)				GI (Gold)	

Order Code **XSR254-WB-B-BI-ND**

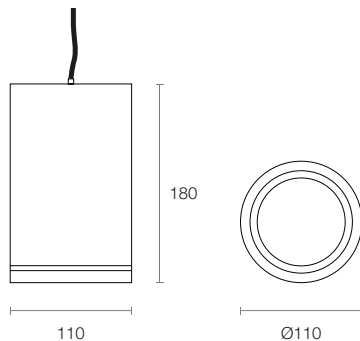


To configure this pendant, please visit
trendlighting.com.au/product/suspended-XSR25

Physical Characteristics

Trim Colour	White Black Silver
Insert Colour	White Black Silver Gold
Dimensions	Ø110 x 180 (H) mm
Suspension Height	1000 mm Max
Weight	1310 g

Dimensions (mm)



Product Features

- Suspended LED downlight, manufactured with an aluminium body in powder coat finish and sealed face with silicone gasket
- Designed with no visible mounting screws providing a cleaner look with a large integral pin fin heatsink for excellent thermal management
- Also available in other power and size options ([XSR10](#) and [XSR35](#))
- CRI 90+ available in 2700K, 3000K, 3500K and 4000K CCT options; CRI 93+ VIVID and CRI 97+ available in 2700K, 3000K and 4000K CCT options
- Supplied with an integral driver

Product Attributes



Technical Characteristics

Based on XSR254-WB-B-BI-ND

LED Power	25W
LED Type	COB
Lumen Output	2955 lm
Luminous Flux	2230 lm
Efficacy	83.21 lm/W
Colour Temperature	2700K 3000K 3500K 4000K
Colour Technology	CRI 90+ CRI 93+ VIVID CRI 97+
Colour Deviation	SDCM ≤ 2
Lifetime	50,000 hours (L80)
Beam Angle	Narrow Medium Wide

System Power	26.8W Typical
Driver Model	Trend 150080-600 (Non-dim)
Input	220-240V AC 50/60 Hz
Output	25-42V DC 600mA
Power Factor	>0.90
Protection	OVP, OTP, OCP, SCP, OPP
Dimming	Non-dimmable DALI

General Characteristics

Category	Pendants
Family	Suspended
Surface	Ceiling
Mounting	Suspended
Ingress Protection	IP44



Scan to explore
XRSRS25 online

Suspended XRSRS25

25W Suspended Downlight

Product Code	Colour Temperature	Colour Technology	Beam Angle	Trim Colour	Insert Colour	Driver
XRSRS25	2.7 (2700K)	(CRI 90+ Standard)	NB (Narrow)	W (White)	WI (White)	ND (Non-dimmable)
	3 (3000K)	V (CRI 93+ VIVID)	MB (Medium)	B (Black)	BI (Black)	DALI (DALI)
	3.5 (3500K)	R (CRI 97+ Standard)	WB (Wide)	S (Silver)	SI (Silver)	
	4 (4000K)				GI (Gold)	

Order Code **XRSRS254-WB-B-BI-ND**

To configure this pendant, please visit
trendlighting.com.au/product/suspended-XRSRS25

Trim Colour



W
White Trim



B
Black Trim

Insert Colour



WI
White Insert



BI
Black Insert



SI
Silver Insert



GI
Gold Insert