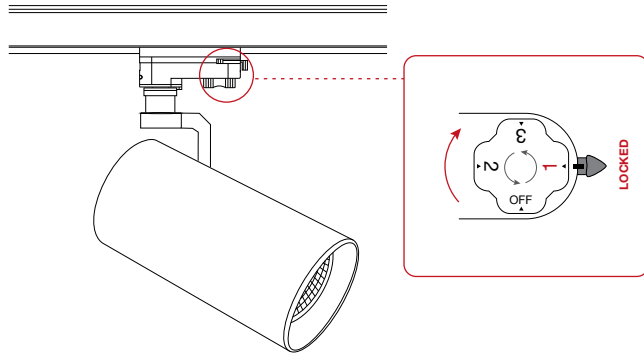
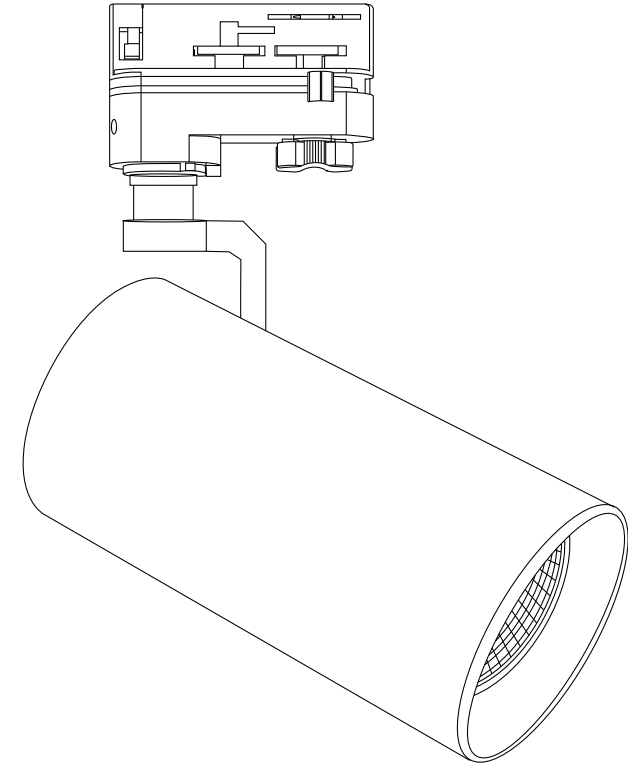


**5** Connect / Reconnect track to power and switch the track selection knob to the required circuit (Circuit 1 shown below).



V1-05-04.2024 Product designs and technical data may be subject to change.

# Track Spot XT B35 Architectural Premium Track Spot *Installation Guide*



**For warranty information, please visit**  
[trendlighting.com.au/warranty](http://trendlighting.com.au/warranty)

### Important Safety Information

Please read these installation instructions carefully before installing this luminaire.

- This product must be installed by a licensed electrician in accordance with AS/NZS 3000 and local regulations.
- Isolate the mains power supply prior to installation.
- Only reconnect mains power after installation is completed.
- No part of the luminaire should be altered or modified.
- This product is not user serviceable.

### Installation Notes



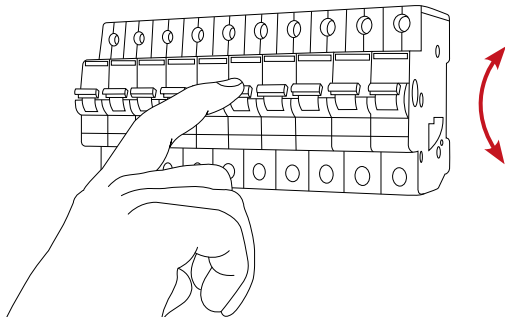
### Product Code

XTB35

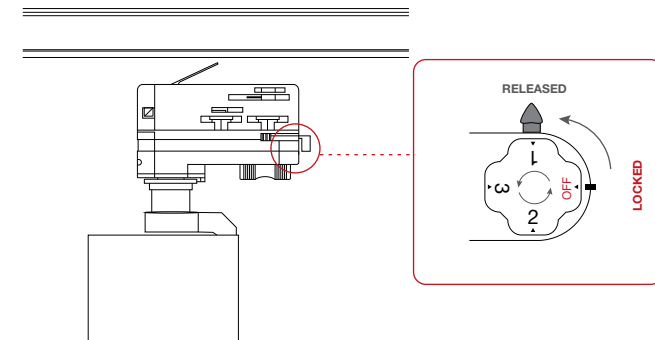
### Dimensions

Ø115 mm x 216 (H) mm

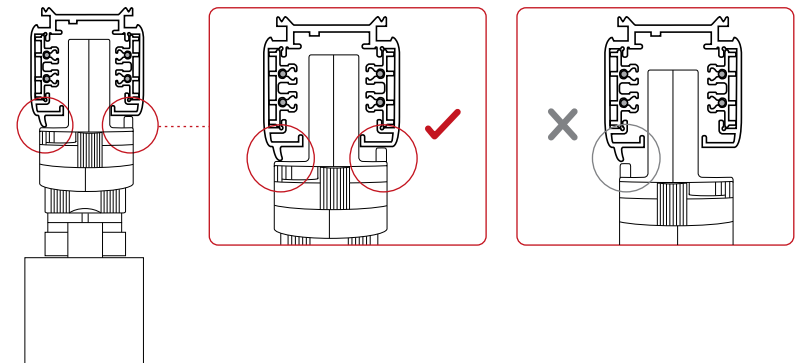
- 1** Isolate the mains power supply prior to commencing installation.



- 2** Check to ensure the circuit selector knob is set to 'off' and the locking lever is in the 'released' position.



- 3** Ensure the track connector is orientated correctly in the track.



- 4** Insert luminaire into the track and move locking lever to the locked position.

