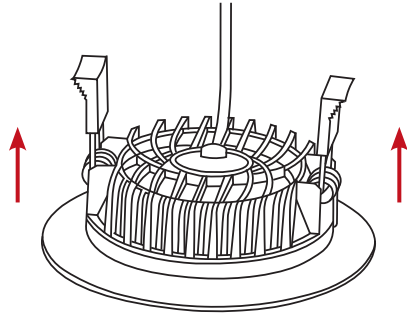
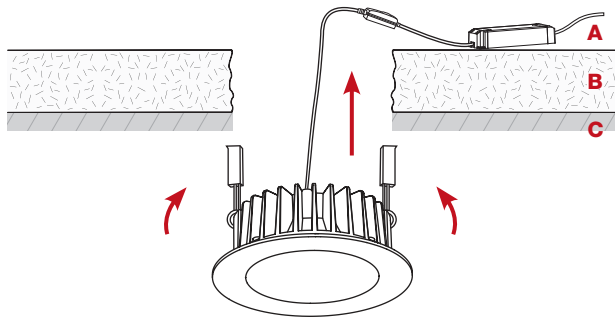


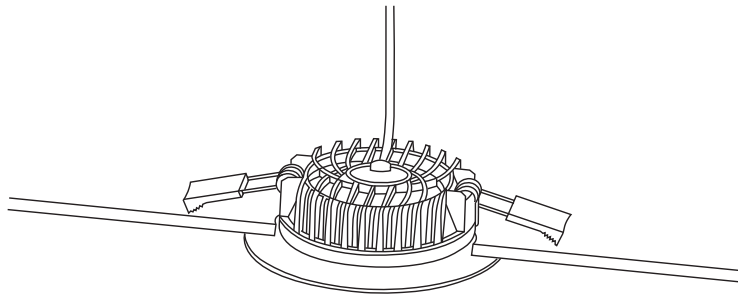
5 Lift the spring clips upwards and press the fitting into the mounting hole.



6 Please ensure LED driver (A) is fixed above any insulation (B). Push springs upwards and install luminaire into ceiling (C).

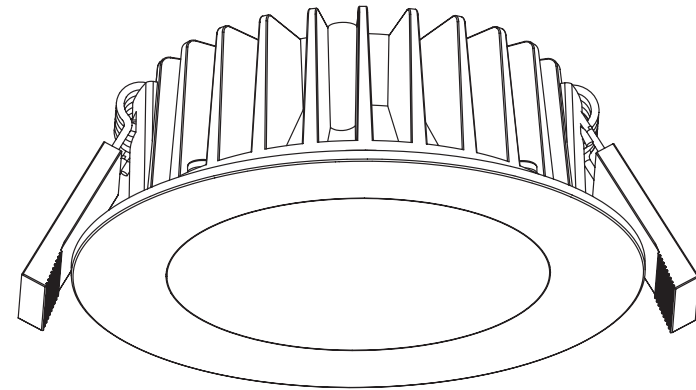


7 The fitting should be mounted flush with the ceiling with no obstructions. Restore power once installation has been completed.



V2-20.07.2023 Product designs and technical data may be subject to change

Unoled TL10 Recessed Compact Tricolour LED Downlight *Installation Guide*



Scan to explore
TL10 online

For warranty information, please visit
trendlighting.com.au/warranty

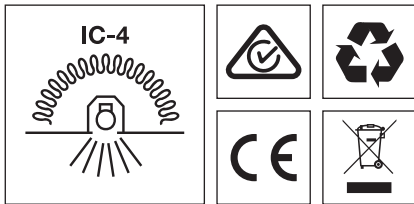
Important Safety Information

Please read these installation instructions carefully before installing this luminaire.

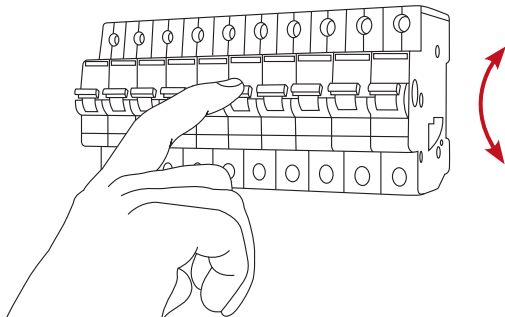
- This product must be installed by a licensed electrician in accordance with AS/NZS 3000 and local regulations.
- Isolate the mains power supply prior to installation.
- Only adjust the CCT switch when luminaire is powered off.
- Only reconnect mains power after installation is completed.
- No part of the luminaire should be altered or modified.
- This product is not user serviceable.

Installation Notes

The Unoled is IC-4 rated and can be installed in locations where it is covered or abutted with thermally insulating material in accordance with AS/NZS 60598.2.2:2016.

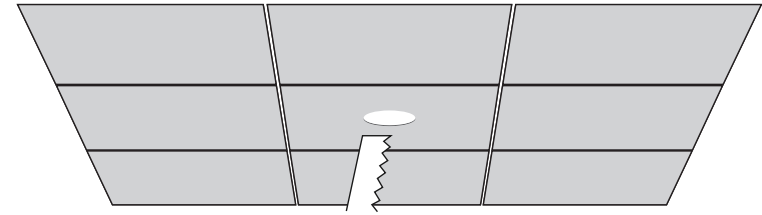


- 1** Isolate the mains power supply prior to commencing installation.

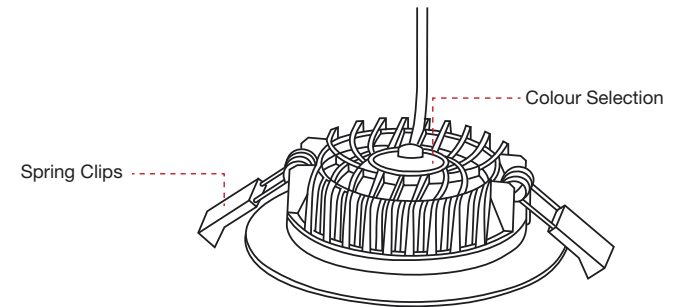


Unoled TL10 Installation Guide

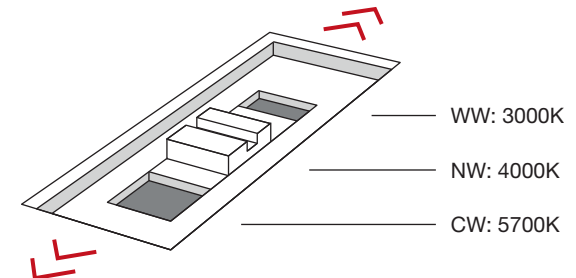
- 2** Ceiling cutout: **TL10**: 85-95 mm



- 3** Connect the power to the fitting and select the desired colour temperature using the colour selection switch.



- 4** Only adjust CCT switch (located inside rear of luminaire) when luminaire is powered off. CCT switch illustration is shown below.



Trend For Trade. Made For Trade.

trendlighting.com.au/series/trade